

GANDIABLASCO

Assembly instructions Instrucciones de montaje

www.gandiablasco.com

Click to access. Pulsa para acceder

- PDF [956408] -

ARIA WIRED CONNECTION ASSEMBLY.
MONTAJE ARIA CON CABLE

- PDF -

TOUCH & APP CONTROL.
CONTROL TÁCTIL Y VÍA APP

GANDIABLASCO

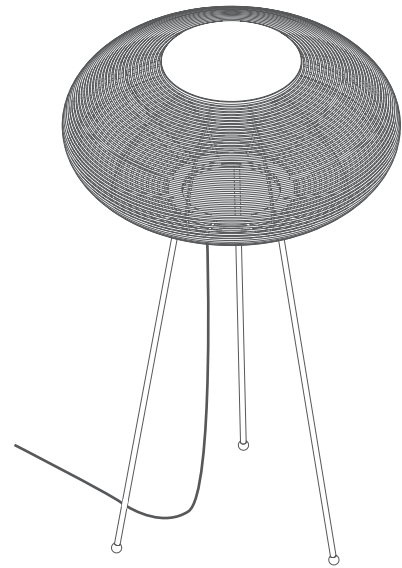
Assembly instructions Instrucciones de montaje

www.gandiablasco.com

- PDF [956408] -

ARIA WIRED CONNECTION ASSEMBLY.
MONTAJE ARIA CON CABLE

GANDIABLASCO

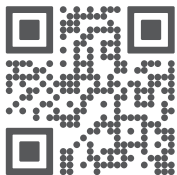
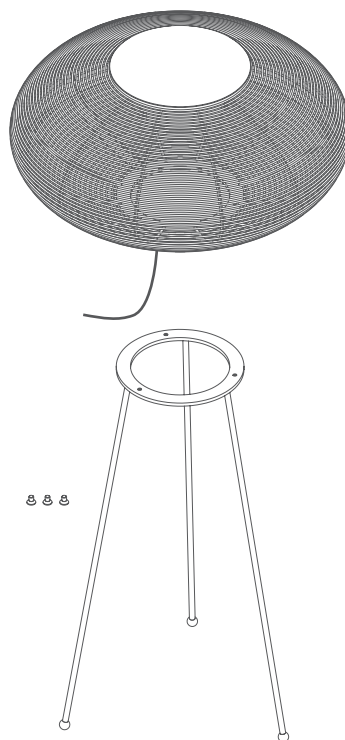


Assembly instructions Instrucciones de montaje

www.gandiablo.com

ARIA WITH WIRED CONNECTION
ARIA CON CABLE

LOW TABLE LAMP. LAMPARA SOBREMESA BAJA
MEDIUM TABLE LAMP. LAMPARA SOBREMESA MEDIANA
FLOOR LAMP. LÁMPARA DE PIE



Control via App and touch sensor

Control táctil y vía App



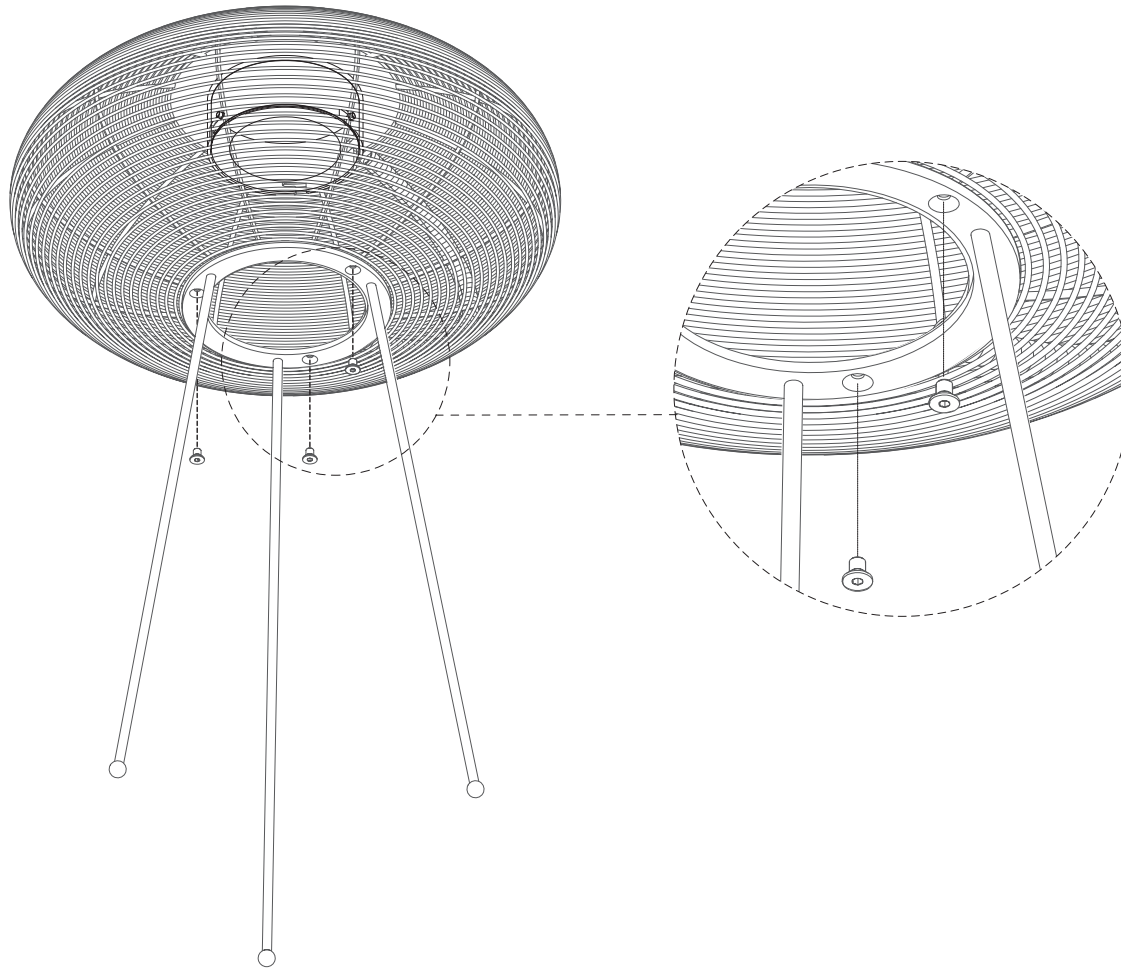
Gandia Blasco Group
1941

GANDIABLASCO

1.



Stainless Steel Screw A2 ISO 7991 M5X8 (x3)
Tornillo Acero Inox A2 ISO 7991 M5X8 (x3)



T. + 34 96 291 13 20



Person / Persona (x1)



Allen key n°3 / Llave allen n°3

GANDIABLASCO

Assembly instructions Instrucciones de montaje

www.gandiablasco.com

- PDF -

TOUCH & APP CONTROL.
CONTROL TÁCTIL Y VÍA APP

GANDIABLASCO

ARIA - Touch and App Control



VIA TOUCH SYSTEM:

Single Tap: Power ON/OFF.

Press and Hold (3 seconds): Light intensity adjustment (dimming). After 3 seconds, the intensity increases from the current level up to 100%. It then decreases from 100% to 1% and rises back to 100% as long as the button is held.

Double Tap: Changes the color temperature. Cycles through 3 color temperatures: 1001K - 2000K - 3000K.

Touch System & APP Synchronization: Both the touch control and the mobile app are fully synchronized. Any adjustment to intensity or light tone made via the touch system is instantly reflected and updated in the application.

Charging Time: 8 hours to reach a 100% charge for the battery module.



G
A
N
D
I
A
B
L
A
S
C
O

GANDIABLASCO

VIA TUYA SMARTLIFE APP:

Connectivity: Uses Bluetooth system.

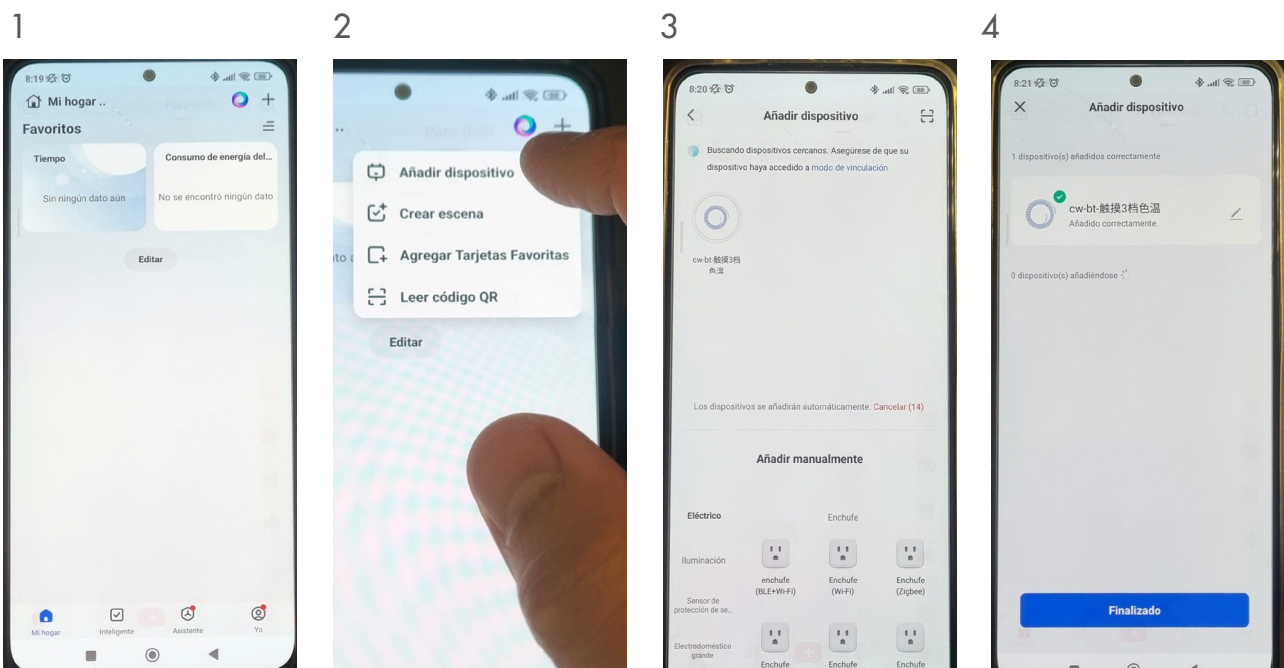
Compatibility: App compatible with Android and iOS.

Setup: Install the application on your mobile device and follow the guided steps (create an account, register a new device, etc.).

Control: Once the lighting device is registered in the app, you can manage light intensities.

Temperature Range: Offers seamless scaling between color temperatures, from 1001K to 3000K.

Dimming: Precise regulation of light intensity.



AMBER COLOR 1001K

Light with a color temperature of 1001K and a pure amber hue offers numerous benefits, primarily due to the complete absence of **blue light** in its spectrum.

Key Advantages and Features:

- **Positive Impact on Rest:** The main advantage of pure amber light at such a low color temperature is that it emits no blue light. Blue light suppresses the production of melatonin, the hormone that regulates sleep. Using this type of light at night (a few hours before bed) helps regulate the body's natural cycle and improves sleep quality.
- **Reduced Eye Strain:** By lacking blue components, this light is much gentler on the eyes, especially in low-light environments. It minimizes glare and ocular tension.
- **Cozy and Decorative Ambience:** Its deep, warm tone creates a highly relaxing, intimate, and decorative atmosphere. It is ideal for setting the mood in interior spaces such as bedrooms, living rooms, and bathrooms, or for providing warm and welcoming night lighting in outdoor areas.



GANDIABLASCO

WARM AMBER 2000K

Light with a color temperature of **2000K** sits at the warmest end of the white light spectrum, just before reaching pure amber tones. It features a very warm, deep white color, remarkably similar to the glow of a candle or a fireplace.

Key Advantages and Features:

- **Maximum Warmth and Well-being:** It creates an exceptionally intimate, relaxing, and luxurious atmosphere that evokes the comfort of firelight. It is ideal for spaces where ambiance is the top priority.
- **Ideal for Rest:** Due to its extremely low color temperature, blue light emission is minimal. This makes it excellent for nighttime use, as it helps maintain the body's natural cycle and contributes significantly to improved sleep quality.
- **Accent Lighting:** Perfect for highlighting architectural elements, artwork, or natural materials (such as wood) by enhancing their warm tones.
- **Versatile Outdoor Use:** Because of its similarity to candlelight, it is highly popular for creating sophisticated and relaxing environments on terraces, gardens, and outdoor lounge areas.
- **Comfort Visual:** Its deep hue is very gentle on the eyes, minimizing glare and making it ideal for both nighttime and ambient lighting.

WARM WHITE 3000K

The **3000K** light is commonly known as **Warm White**. It features a soft, slightly yellowish appearance, very similar to the light emitted by traditional incandescent light bulbs.

Key Advantages and Features:

- **Cozy Ambiance:** It creates a warm and inviting atmosphere, ideal for residential spaces such as living rooms, bedrooms, and dining areas. It is the gold standard in the hospitality industry for generating a relaxed and welcoming environment.
- **Versatility:** This is one of the most versatile color temperatures. While warm, it is not so yellow that it distorts most colors, making it suitable for a wide variety of applications. It complements spaces beautifully, providing a sense of comfort and ease.
- **Visual Comfort:** Its warmth makes it very pleasant to the eye, reducing the "cold" sensation often associated with whiter or bluer lights.

