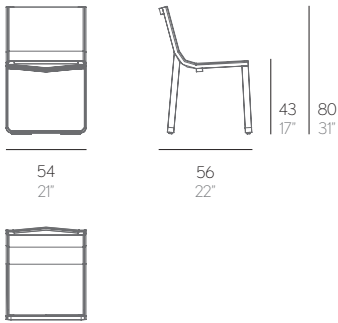


# FLAT TEXTIL

MARIO RUIZ



## SILLA

Aluminio soldado termolacado.  
Tela Batyline®.

## STUHL

Geschweißten thermolackierten Aluminium.  
Batyline® - Stoff.

## CHAISE

Aluminium soudé et thermolaqué.  
Tissu Batyline®.

## DINING CHAIR

Thermo-lacquered welded aluminium.  
Batyline® fabric.

## SEDIA

Alluminio saldato termolaccato.  
Tessuto Batyline®.

## DINING CHAIR

Thermo-lacquered welded aluminium.  
Batyline® fabric.

Estructura. Frame. Profil. Struttura. Structure. Frame

7 kg - 19.8 lbs 15,4 m<sup>3</sup> - 11.3 ft<sup>3</sup>

## MATERIALES. MATERIALS. MATERIALEN. MATERIALI. MATERIAUX

### ALUMINIUM



### BATYLINE®

