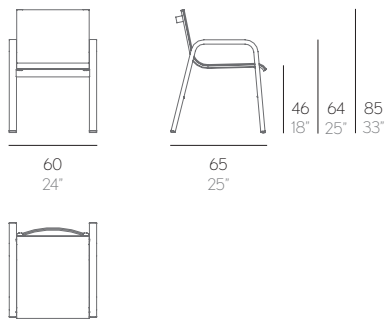


STACK

BORJA GARCÍA



BUTACA

Aluminio soldado termolacado.
Tela Batyline®.

ARMLEHNSTUHL

Geschweißten thermolackierten Aluminium.
Batyline® - Stoff.

FAUTEUIL

Aluminium soudé et thermolaqué.
Tissu Batyline®.

DINING CLUB ARMCHAIR

Thermo-lacquered welded aluminium.
Batyline® fabric.

POLTRONCINA

Alluminio saldato termolacato.
Tessuto Batyline®.

DINING CLUB ARMCHAIR

Thermo-lacquered welded aluminium.
Batyline® fabric.



Apilable. Stackable. Stapelbar. Impilabile. Empilable

Estructura. Frame. Profil. Struttura. Structure. Frame

7 kg - 15,40 lbs 0,54 m³ - 19,07 ft³

MATERIALES. MATERIALS. MATERIALEN. MATERIALI. MATERIAUX

ALUMINIUM



BATYLINE®

