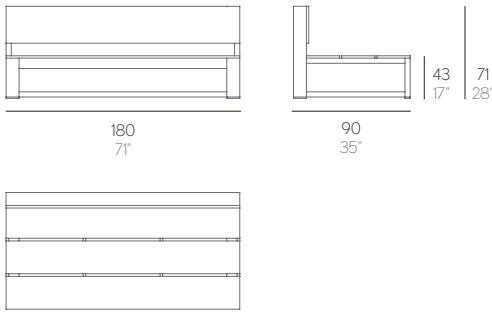


NA XEMENA

RAMÓN ESTEVE



SOFÁ MODULAR 4

Aluminio anodizado o termolacado.
Polietileno 100% reciclable.
Gomaespuma de poliuretano recubierta con tejido hidrófugo. Tapicería desenfundable.

MODUL SOFA 4

Eloxiertes oder thermolackiertes Aluminium.
100% recycelbarem Polyethylen.
Polyurethanschaum mit wasserabweisendem Stoff überzogen. Abziehbarer Bezug.

CANAPÉ MODULABLE 4

Aluminium anodisé ou thermolaqué.
Polyéthylène 100% recyclable.
Polyuréthane recouverte de tissu hydrofuge.
Tapisserie déhoussable.

Estructura. Frame. Profil. Struttura. Structure. Frame

50,25 kg - 110,55 lbs 1,43 m³ - 50,49 ft³

Colchoneta. Mat. Matratze. Materasso. Matela. Cushion

10,7 kg - 23,54 lbs

Funda protectora. Protective cover. Schutzbezug.

Fodera protettiva. Housse de protection.

SECTIONAL SOFA 4

Anodized or thermo-lacquered aluminium.
100% recyclable polyethylene.
Polyurethane foam rubber covered with water-repellent fabric. Removable fabric cover.

DIVANO MODULAR 4

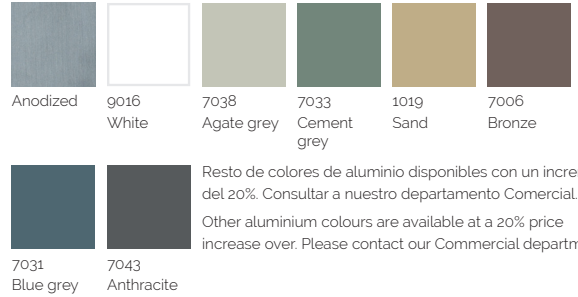
Alluminio anodizzato o termolacato.
Polietilene 100% riciclabile.
Gommapiuma di poliuretano rivestita di tessuto idrofugo. Tappezzeria sfoderabile.

SECTIONAL SOFA 4

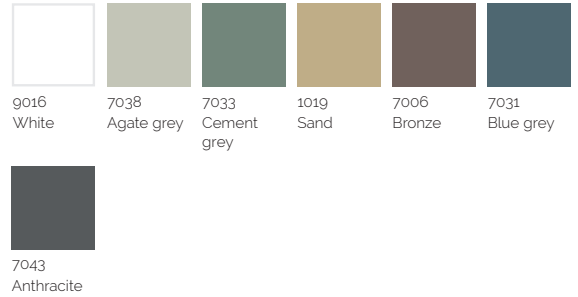
Silver or powder coated aluminum.
100% recyclable polyethylene.
Polyurethane foam rubber covered with water-repellent fabric. Removable fabric cover.

MATERIALES. MATERIALS. MATERIALEN. MATERIALI. MATERIAUX

ALUMINIUM



POLYETHYLENE



FABRICS

