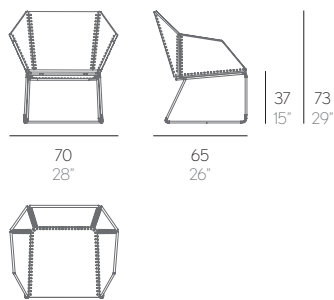


TEXTILE

ANA LLOBET



BUTACA

Acero zincado termolacado.
 Polietileno 100% reciclable.
 Cuerda de poliéster trenzado.
 Gomaespuma de poliuretano recubierta con tejido hidrófugo. Tapicería desenfundable.

CLUB ARMCHAIR

Thermo-lacquered galvanized steel.
 100% recyclable polyethylene.
 Braided rope polyester.
 Polyurethane foam rubber covered with water-repellent fabric. Removable fabric cover.

ARMLEHNSTUHL

Verzinktem thermolackiertem Stahl.
 100% recycelbarem Polyethylen.
 Seil aus geflochtenem Polyester.
 Polyurethanschaum mit wasserabweisendem Stoff überzogen. Abziehbarer Bezug.

POLTRONCINA

Alluminio saldato termolacato.
 Polietilene 100% riciclabile.
 Corda è di poliestere intrecciato.
 Gommapiuma di poliuretano rivestita di tessuto idrofugo. Tappezzeria sfoderabile.

FAUTEUIL

Aluminium soudé et thermolaqué.
 Polyéthylène 100% recyclable.
 Câble tressé est en polyester.
 Polyuréthane recouverte de tissu hydrofuge.
 Tapisserie déhoussable.

CLUB ARMCHAIR

Powder coated galvanized steel.
 100% recyclable polyethylene.
 Braided rope polyester.
 Polyurethane foam rubber covered with water-repellent fabric. Removable fabric cover.

Estructura. Frame. Profil. Struttura. Structure. Frame

15 kg - 33 lbs | 0,51 m³ - 18,01 ft³

Colchoneta. Mat. Matratze. Materasso. Matela. Cushion

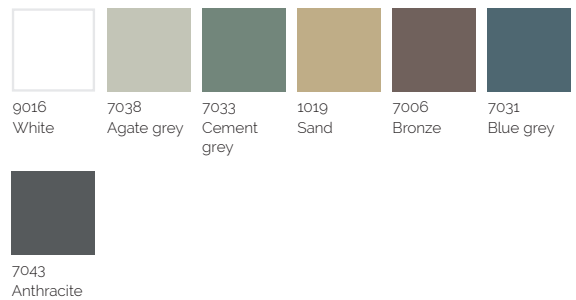
0,8 kg - 1,76 lbs

MATERIALES. MATERIALS. MATERIALEN. MATERIALI. MATERIAUX

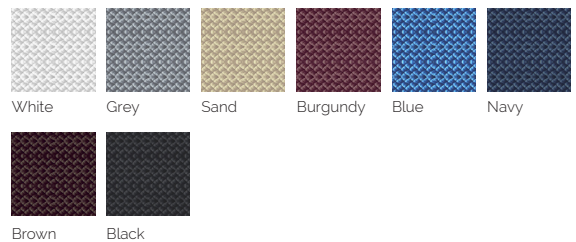
ALUMINIUM



POLYETHYLENE



ROPE



FABRICS



info@gandiablasco.com
 www.gandiablasco.com

