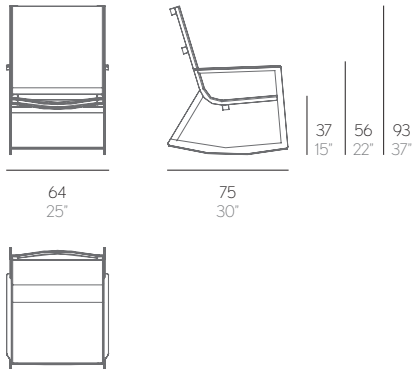


FLAT TEXTIL

MARIO RUIZ



MECEDORA

Aluminio soldado termolacado.
Tela Batyline®.

ROCKING CHAIR

Thermo-lacquered welded aluminium.
Batyline® fabric.

SCHAUKELSTUHL

Geschweißten thermolackierten Aluminium.
Batyline® - Stoff.

SEDIA A DONDOLO

Alluminio saldato termolaccato.
Tessuto Batyline®.

FAUTEUIL À BASCULE

Aluminium soudé et thermolaqué.
Tissu Batyline®.

ROCKING CHAIR

Thermo-lacquered welded aluminium.
Batyline® fabric.

Estructura. Frame. Profil. Struttura. Structure. Frame

11,6 kg - 25,52 lbs 0,61 m³ - 21,54 ft³

Funda protectora. Protective cover. Schutzbezug.
Fodera protettiva. Housse de protection.

MATERIALES. MATERIALS. MATERIALEN. MATERIALI. MATERIAUX

ALUMINIUM



BATYLINE®

